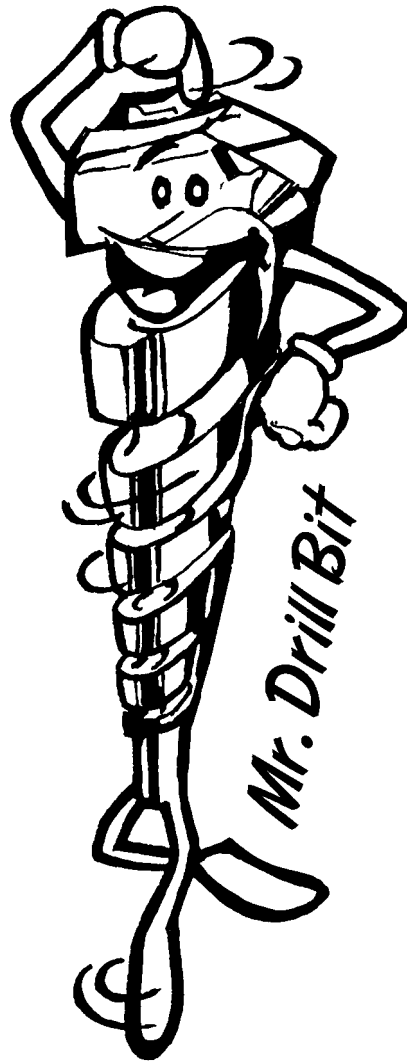
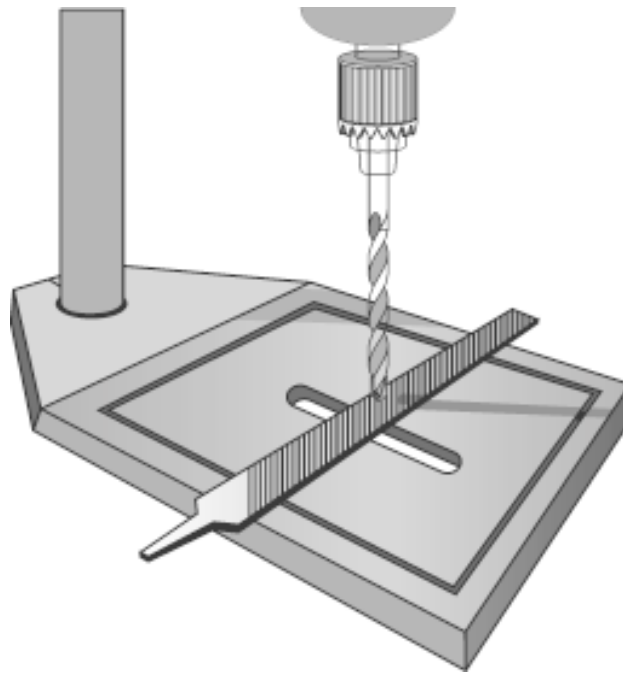
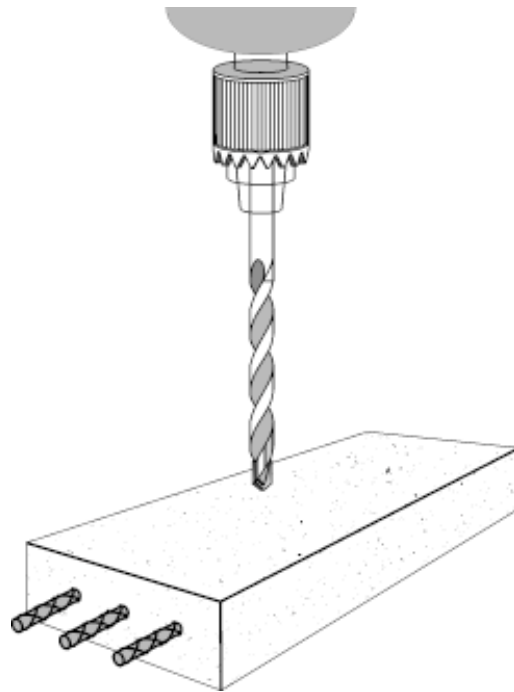
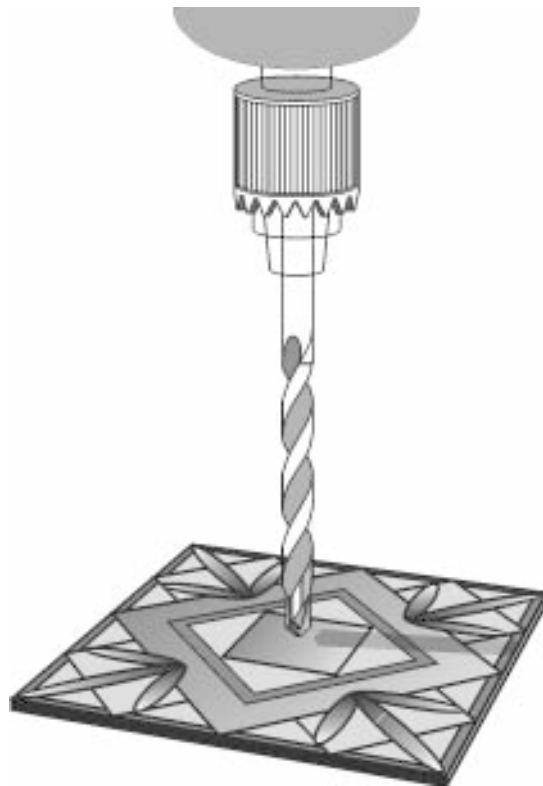


- 1. Mr. Drill Bit**
- 2. Drill Bit - Hardened Steel**
- 3. Drill Bit - Concrete**
- 4. Drill Bit - Ceramic Tiles**
- 5. Drill Bit - Porcelains**
- 6. Drill Bit - Glass**
- 7. Drill Bit - Wood**
- 8. Drill Bit**
- 9. Carded Drill Bit**
- 10. Square Tube Drill Bit**
- 11. 16" Carded Bit**
- 12. 16" Tubed Bit**
- 13. 01505 - 5 Piece Set**
- 14. 01510 - 7 Piece Set**
- 15. 01535c - 13 Piece Set**
- 16. 01551 - Grinding Wheel**
- 17. 01011, 01021, 01031, 01041 Concrete Screw Bits**

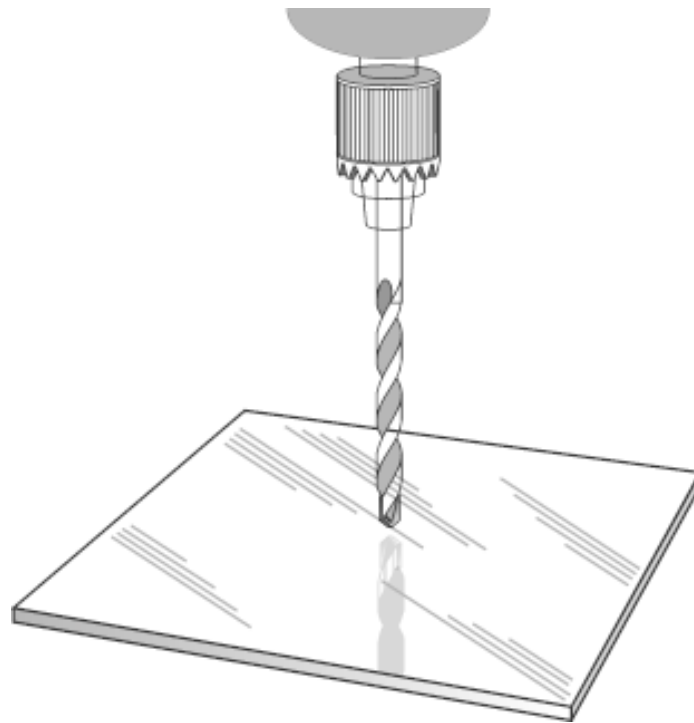


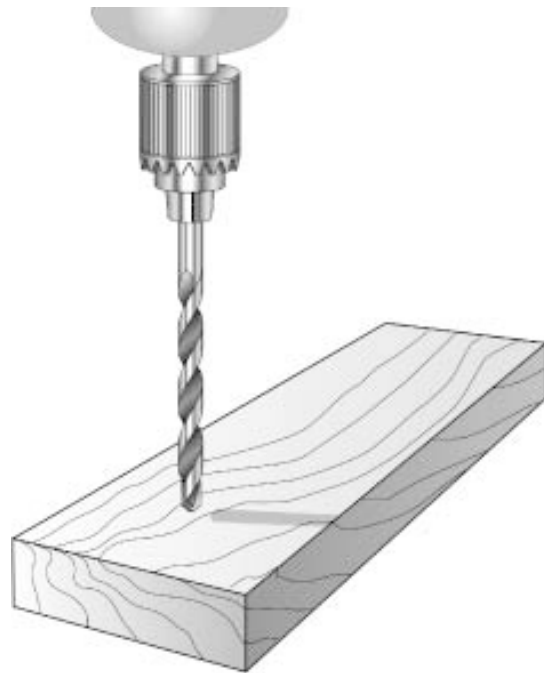




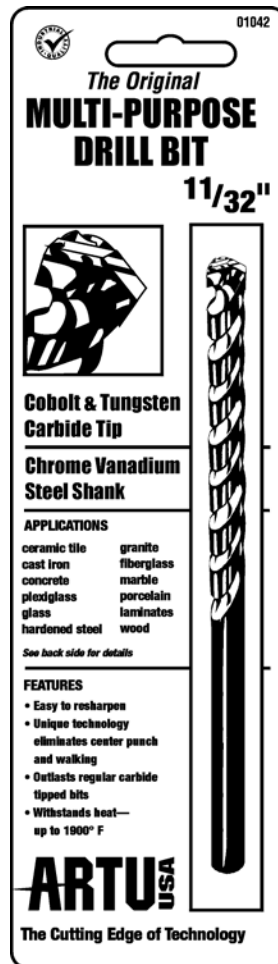


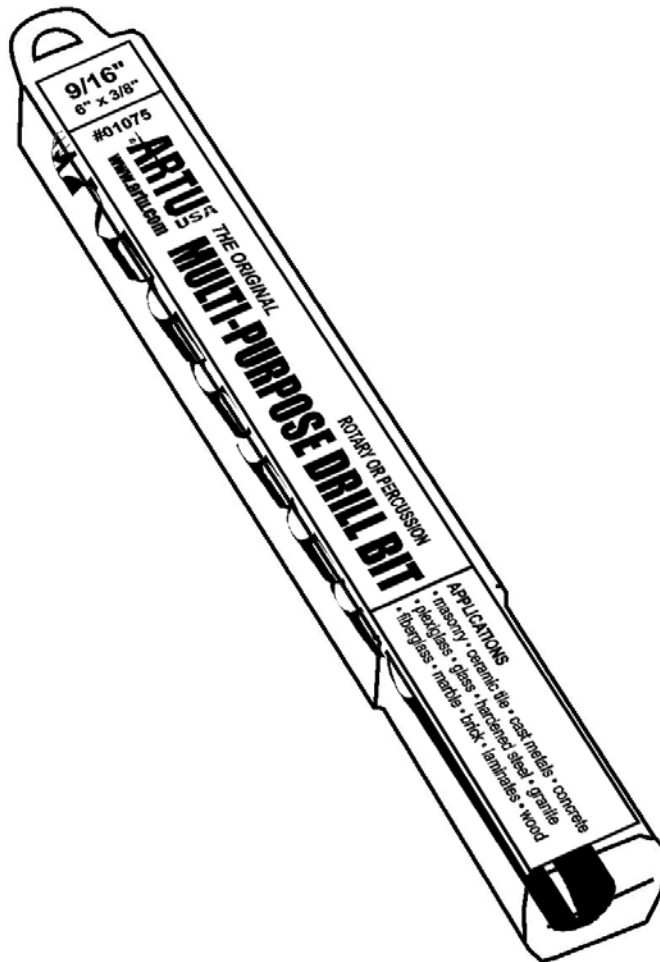






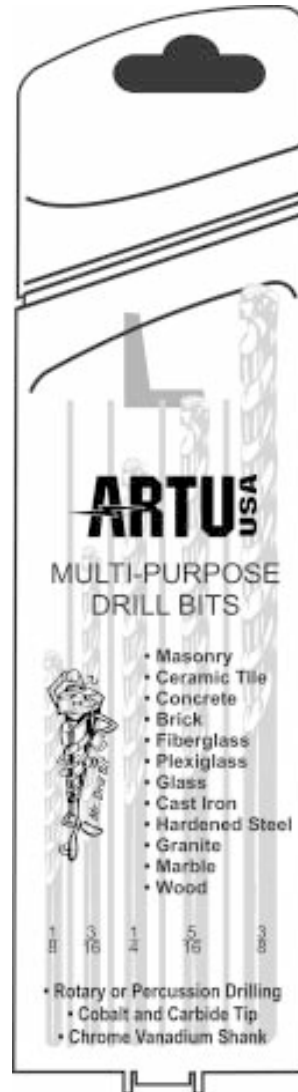


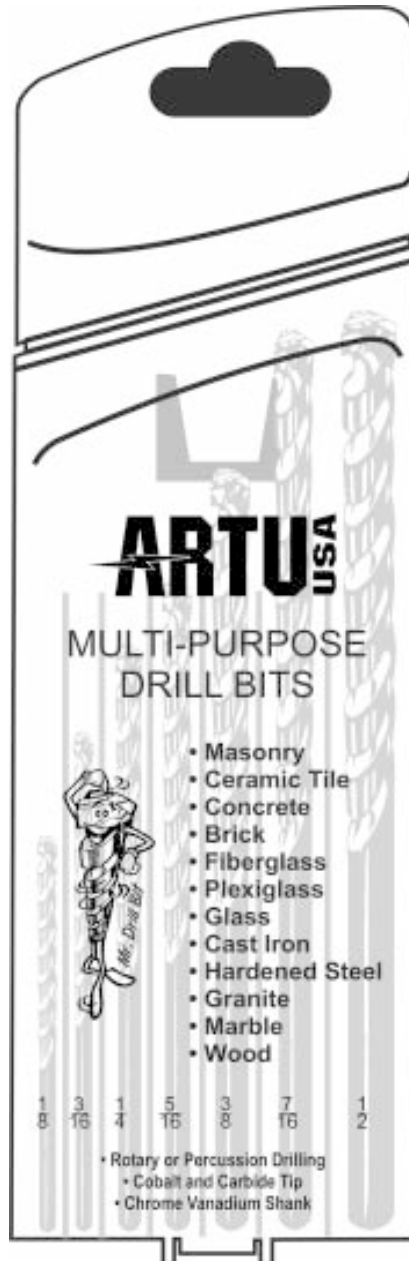












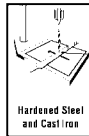
## The Original Multi-Purpose Drill Bit Set

For Rotary or Percussion Drilling

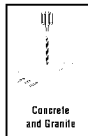


**Cobalt & Tungsten Carbide Tip**

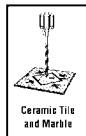
**Chrome Vanadium Steel Shank**



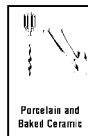
Hardened Steel and Cast Iron



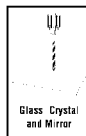
Concrete and Granite



Ceramic Tile and Marble



Porcelain and Baked Ceramic

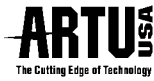


Glass, Crystal and Mirror

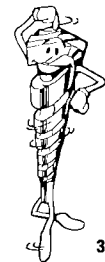


Plastics

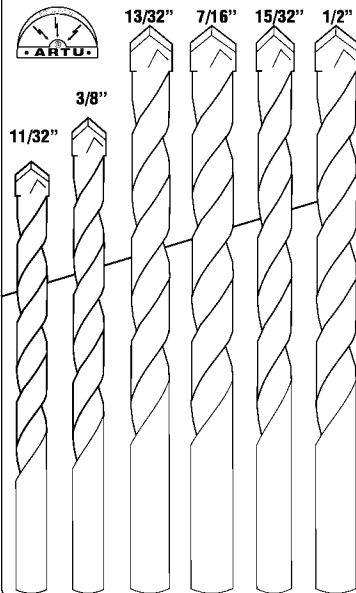
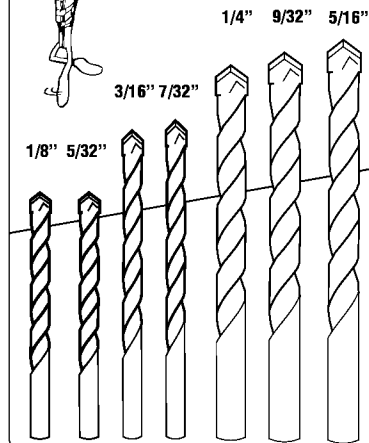
- Features**
- Easy to resharpen
  - Unique technology eliminates center punch and walking
  - Outlasts regular carbide tipped bits
  - Withstands heat—up to 1900° F




**13 Pieces**  
01535



Not recommended for use on soft metals.  
For example: Aluminum, Angle Iron, Brass, Copper, Galvanized Pipe, Stainless Steel.




01551



### GRINDING WHEEL

for ARTU Multi-Purpose Drill Bits



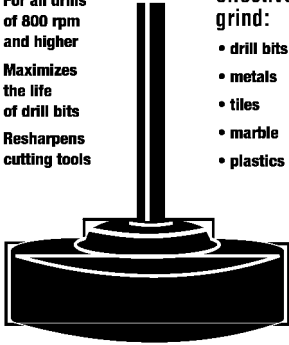
#### Special Silicon Carbide

**Features:**

- For all drills of 800 rpm and higher
- Maximizes the life of drill bits
- Resharpens cutting tools

**Will effectively grind:**

- drill bits
- metals
- tiles
- marble
- plastics



**ARTU USA** *Do-it-yourself directions on back*

**The Cutting Edge of Technology**

